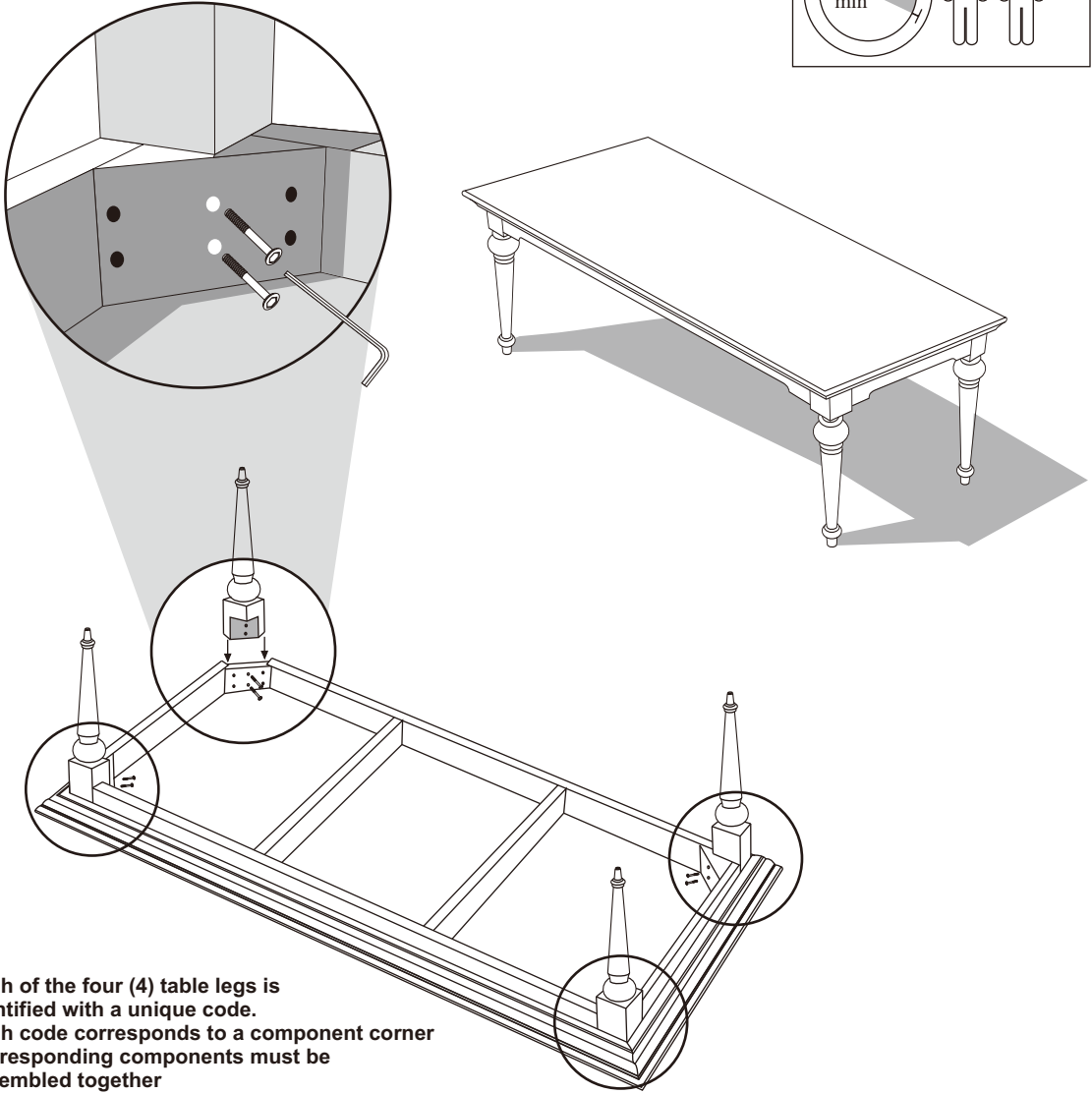
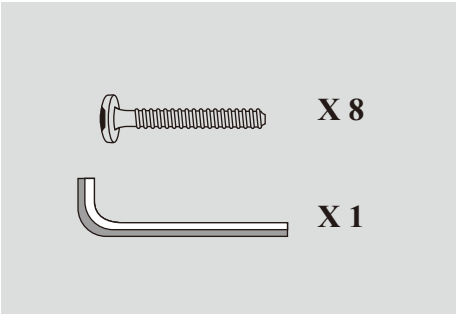
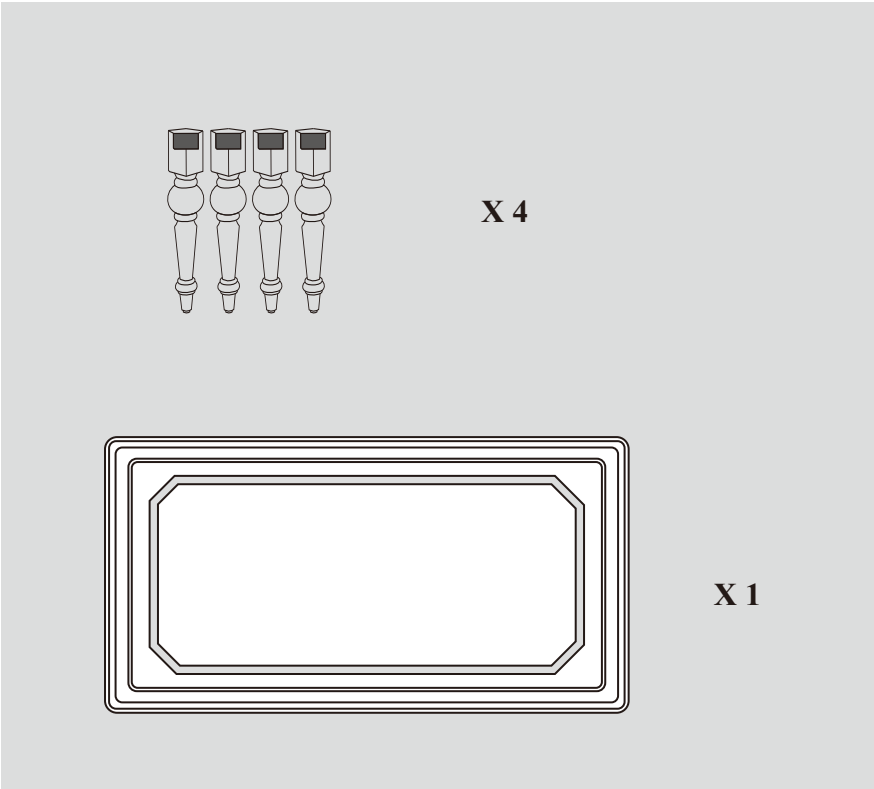
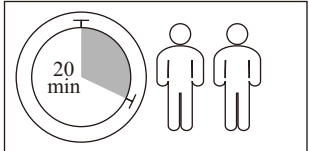


# T784 - 240 Dining Table Assembly Instructions



\* Each of the four (4) table legs is identified with a unique code. Each code corresponds to a component corner. Corresponding components must be assembled together

**WARNING** Do not use this product before installing hardware as instructed  
During assembly tighten screws by hand. Once all screws are in place use the tool to tighten until secure