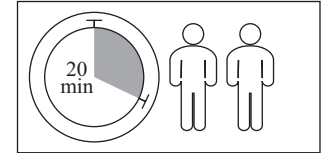


CA614 - Triple Bay Hutch Unit Assembly Instructions



X 2



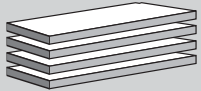
X 8



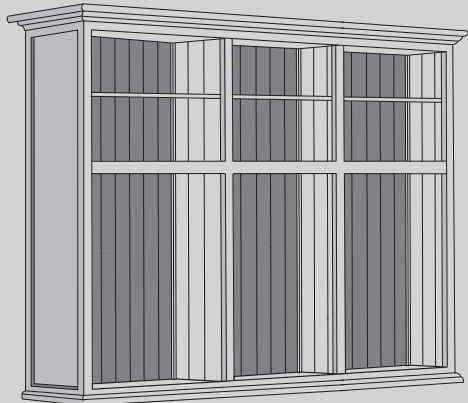
X 1



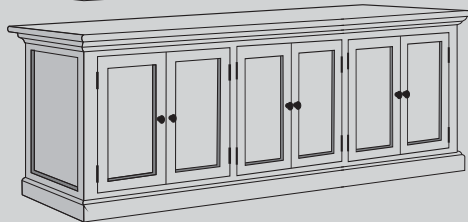
X 24



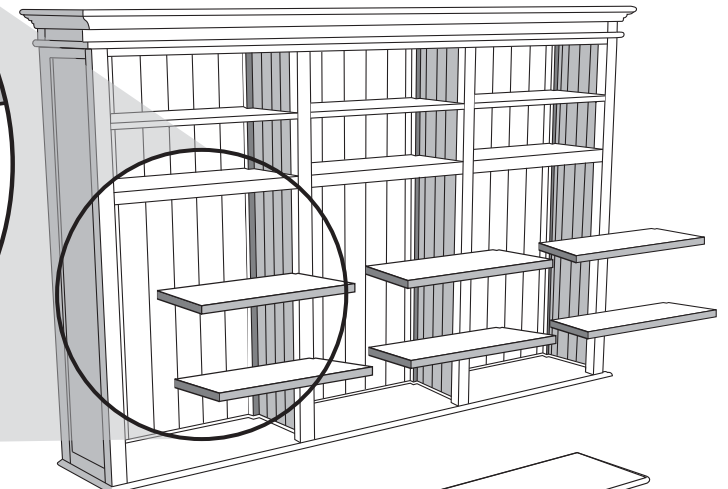
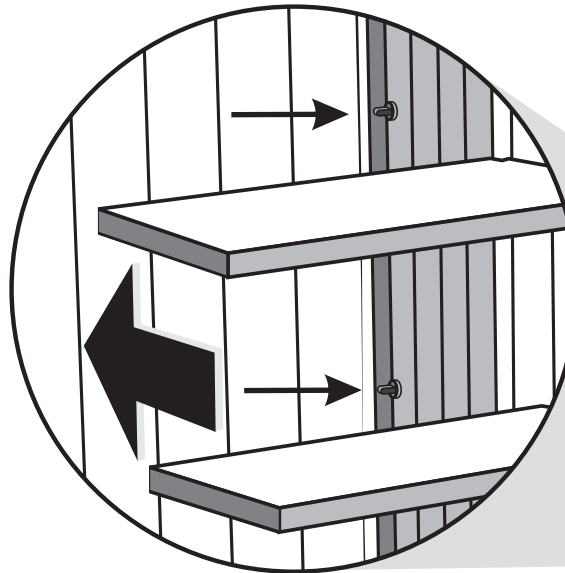
X 6



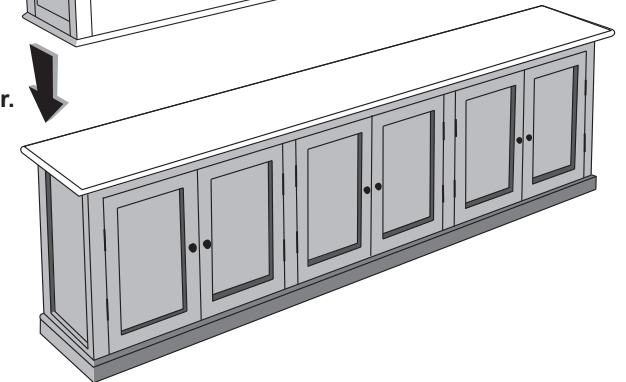
X 1



X 1



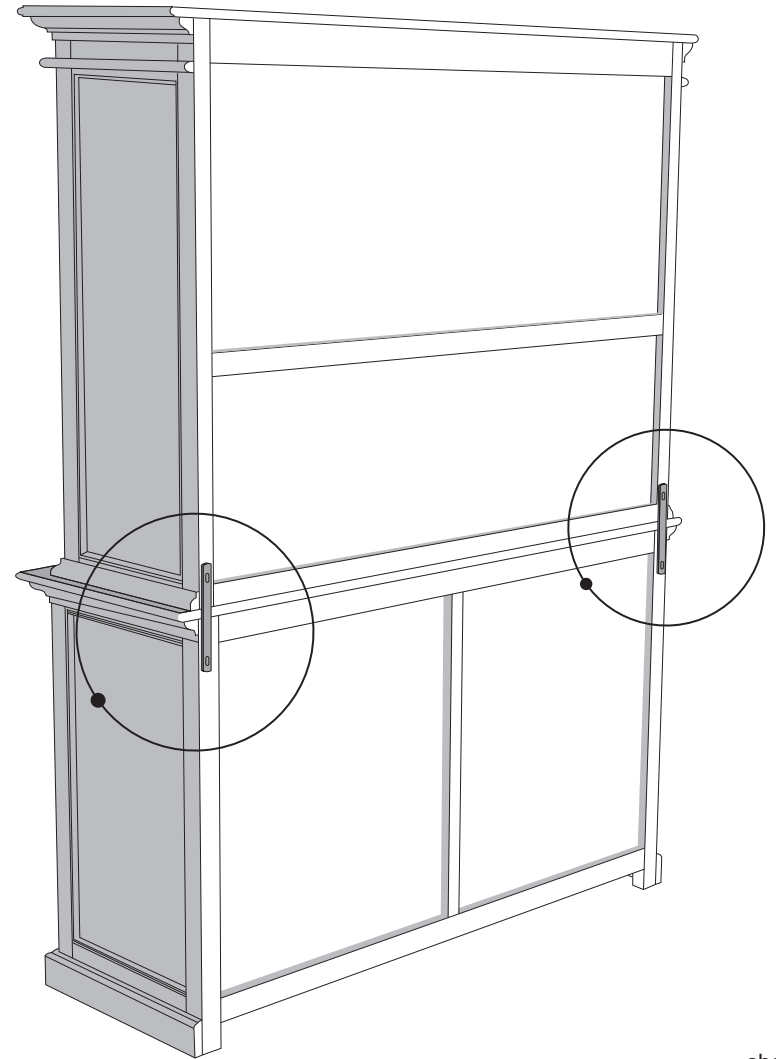
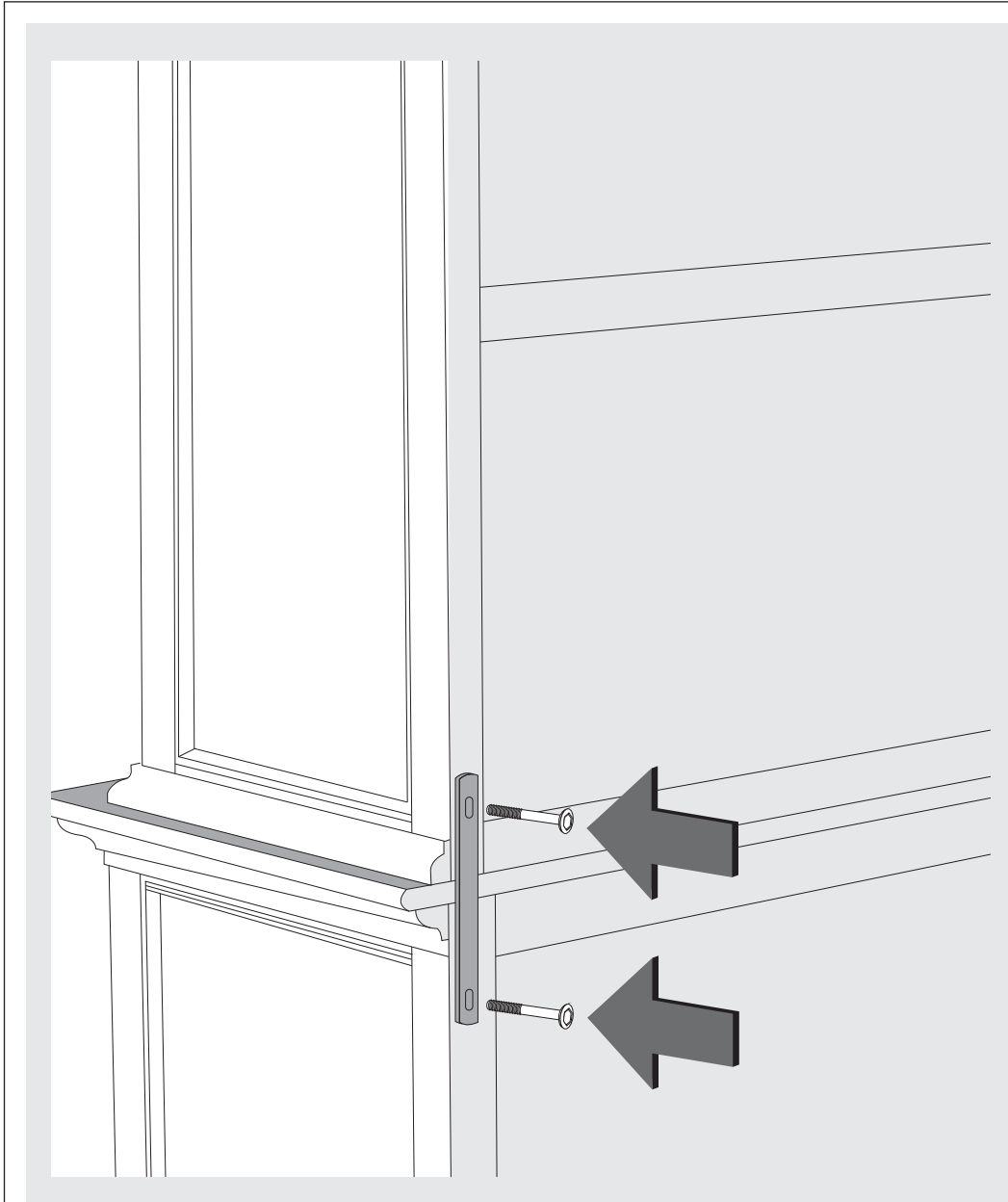
* Each shelf is identified with a unique code.
Each code corresponds to a component compartment.
Corresponding components must be assembled together.



WARNING

Do not use this product before installing hardware as instructed
During assembly tighten screws by hand. Once all screws are in place use the tool to tighten until secure

CA614 - Triple Bay Hutch Unit Assembly Instructions



sheet 2

WARNING

Do not use this product before installing hardware as instructed
During assembly tighten screws by hand. Once all screws are in place use the tool to tighten until secure

novasolo.com